

Powered by



# TPL 121800 ▶ 12V 180Ah

TPL 121800 is a front terminal battery up to 12 years expected life under normal float charge. As with all CSB batteries, all are rechargeable, highly efficient, leak proof and maintenance free.



CSB-manufactured VRLA batteries are UL-recognized components under UL924 and UL1989.

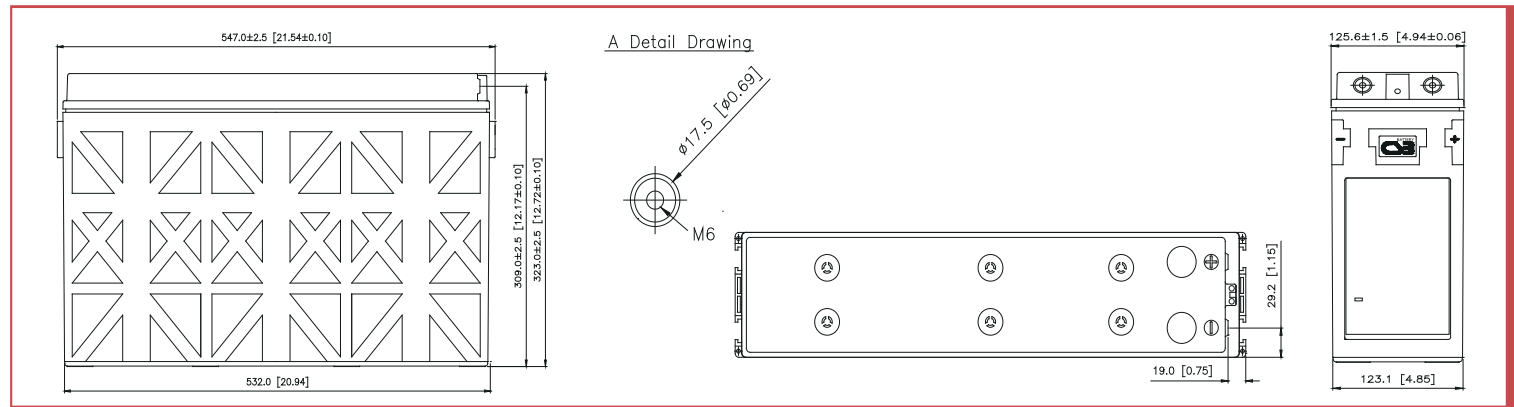
CSB is also certified by ISO 9001 and ISO 14001.

## Specification

Cells Per Unit	6
Voltage Per Unit	12
Capacity	180Ah @ 8hr-rate to 1.75V per cell @25 °C(77°F)
Weight	Approx. 55.1kg (121.5 lbs)
Maximum Discharge Current	800A(5sec)
Internal Resistance	Approx. 6.5 m Ω
Operating Temperature Range	Discharge: -15°C~50°C ( 5°F~122°F) Charge: -15°C~40°C ( 5°F~104°F) Storage: -15°C~40°C ( 5°F~104°F)
Nominal Operating Temperature Range	25°C±3°C(77°F±5°F)
Float Charging Voltage	2.275 ± 0.025V / Cell at 25 °C (77°F) Temp. Coefficient ±3.3mV/°C(±1.8mV/°F)
Recommended Maximum Charging Current Limit	54A
Equalization / Cycle Use Charging Voltage	2.45V Temps coefficient ±0.05mV/°C(±1.8mV/°F)
Terminal	I2-Thread lead alloy recessed terminal to accept M6 bolt
Terminal Hardware Initial Torque	91-in-lbs.(10.32 N-m)
Container Material	ABS(UL94-V0/File E88637)&(UL94-HB/File E50263)/L.O.I higher than 28

## Dimensions :

Overall Height (H)	Length (L)	Width (W)
Unit: mm (inch)		
323.0±2.5 (12.72±0.10)	547.0±2.5 (21.54±0.10)	125.6±1.5 (4.94±0.06)



## Constant Current Discharge Characteristics Unit:A (25°C ,77°F)

F.V/Time	15MIN	30MIN	1HR	2HR	3HR	4HR	5HR	6HR	7HR	8HR	10HR	20HR
1.67V	326.0	208.7	126.2	71.90	52.11	41.31	34.59	30.12	26.68	23.59	19.16	9.92
1.70V	314.5	203.8	124.9	71.43	51.69	41.01	34.25	29.68	26.33	23.36	19.11	9.89
1.75V	277.5	191.8	122.5	70.70	50.56	40.00	33.15	28.54	25.12	22.50	18.72	9.81
1.80V	233.2	175.8	115.8	67.72	48.73	38.90	31.97	27.41	24.07	21.66	18.10	9.59
1.83V	203.9	165.8	110.1	65.43	47.36	37.81	31.00	26.51	23.59	21.03	17.69	9.41
1.85V	179.9	151.4	102.1	63.27	46.36	36.68	30.21	26.18	22.96	20.63	17.30	9.25
1.90V	163.7	132.2	92.64	56.29	42.03	33.24	27.50	23.98	21.28	19.07	15.97	8.43

## Constant Power Discharge Characteristics Unit:W (25°C ,77°F)

F.V/Time	15MIN	30MIN	1HR	2HR	3HR	4HR	5HR	6HR	7HR	8HR	10HR	20HR
1.67V	3426.2	2235.6	1386.1	803.2	581.3	463.4	387.6	337.8	299.3	264.8	216.7	114.7
1.70V	3346.2	2205.6	1384.7	798.3	580.2	462.6	386.9	335.5	297.8	264.4	216.1	114.1
1.75V	3011.2	2109.6	1376.5	787.3	575.6	457.4	379.6	326.9	288.0	258.1	215.6	113.6
1.80V	2577.3	1973.8	1319.5	778.1	562.6	450.6	370.8	318.2	279.5	251.8	211.3	112.6
1.83V	2282.1	1877.4	1264.8	758.1	551.5	441.6	362.5	310.2	276.2	246.5	208.3	111.4
1.85V	2027.7	1710.0	1177.6	737.1	543.1	430.6	355.1	307.9	270.2	243.1	204.8	110.0
1.90V	1886.9	1540.0	1088.5	664.5	499.2	395.5	327.6	285.7	253.7	228.0	191.6	101.6

Ratings are preliminary and subject to change.